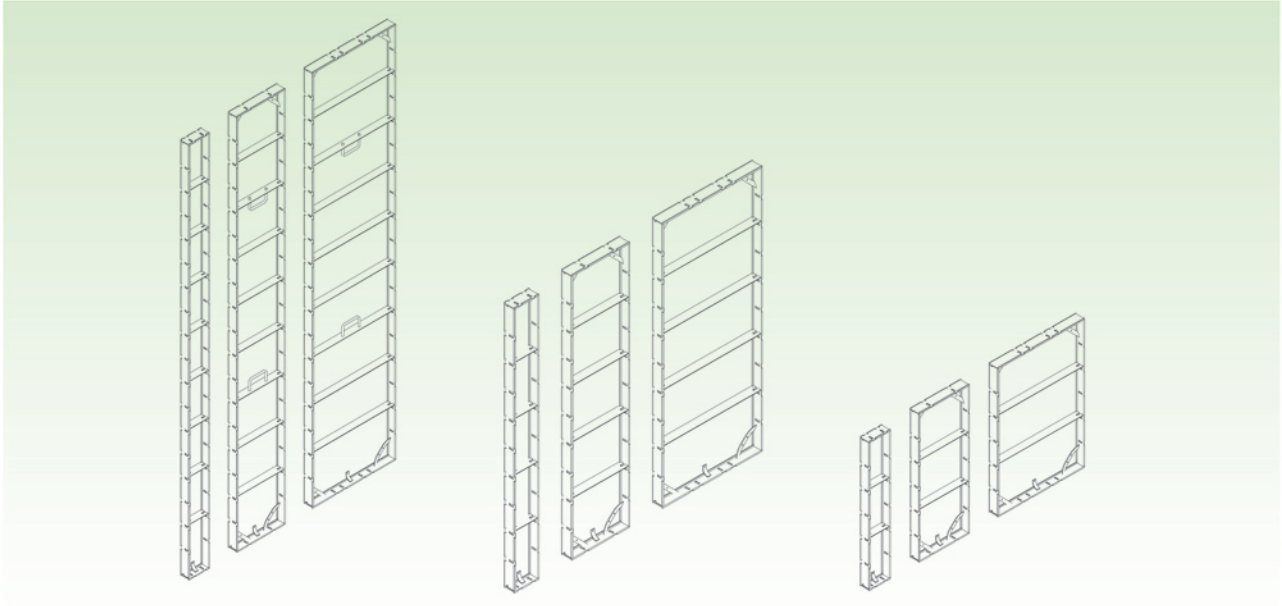


Framed Formwork GJ63

► Framed Formwork GJ63 introduction

This formwork system is mainly used in the concrete pouring of the walls and columns.



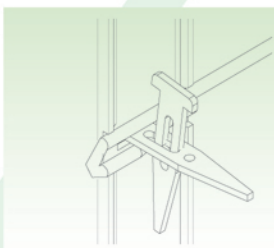
Framed Formwork GJ63

1、 Classification

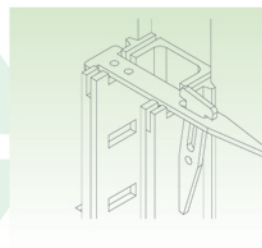
There are totally eight heights and with thirteen widths in every heights. Filler angles and corners with many Spec. will go well with the formworks. The formwork can be assembled to meet the demand of all kinds of wall pouring. The maximal pouring dimension of column is 750X750mm².

2、 Cross-pin

The system is connected by cross-pins, the number of which should according to the demand of construction. Two kinds of cross-pins are supported to meet the connection demand of templates and fillers. Only a hammer can make panels firmly connected together, other tools are not needed.



connection of two templates



Connection of template and steel filler

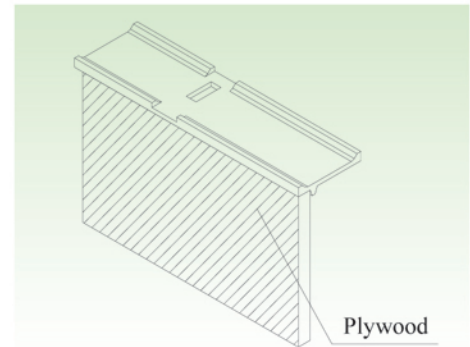


Framed Formwork GJ63

3、 Plywood

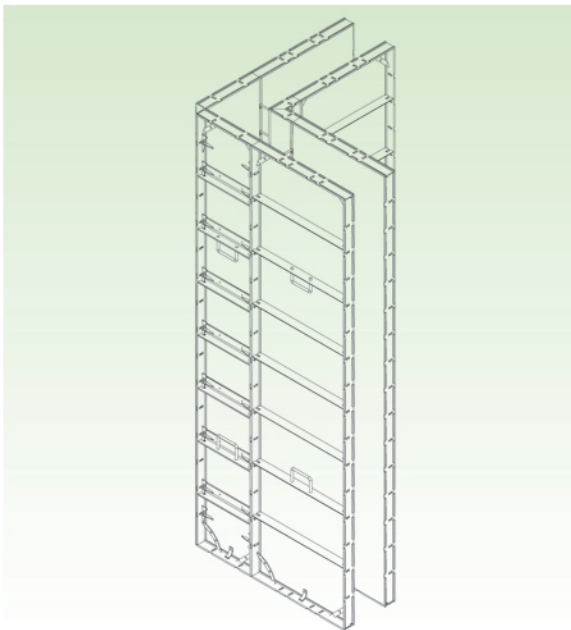
The plywood used by Zulin company is perfect and the mechanical property of which is coincident with the national standards. The shape, size, tolerance, board structure, tree species, the binder and so on are manufactured and used according to the national standards. All the products are checked and properly tested.

The plywood is light and cabinet, all kinds of specifications and the connection way will make the assemble very easy and fast.

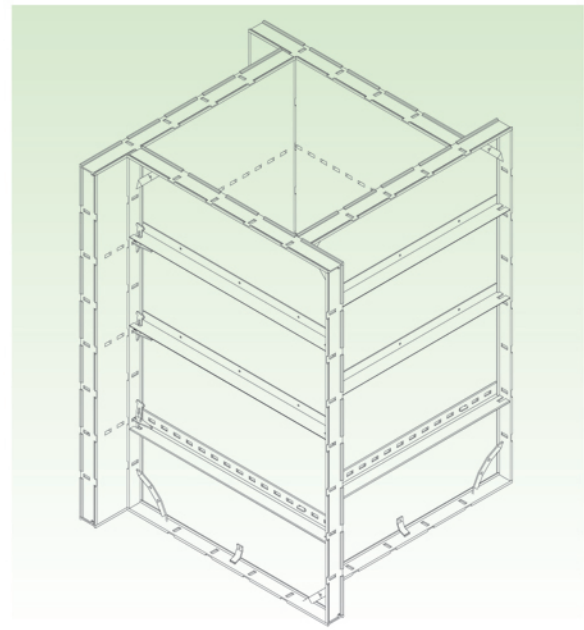


4、 Nodal point

Adjustable column formwork assembly

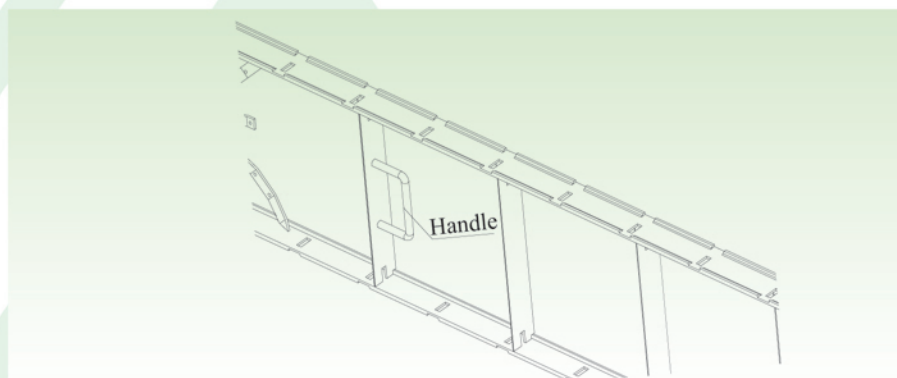


L-type nodal point



Adjustable column formwork assembly

5、 The using of handle



The handle in the cross rib will make the physical handing convenient